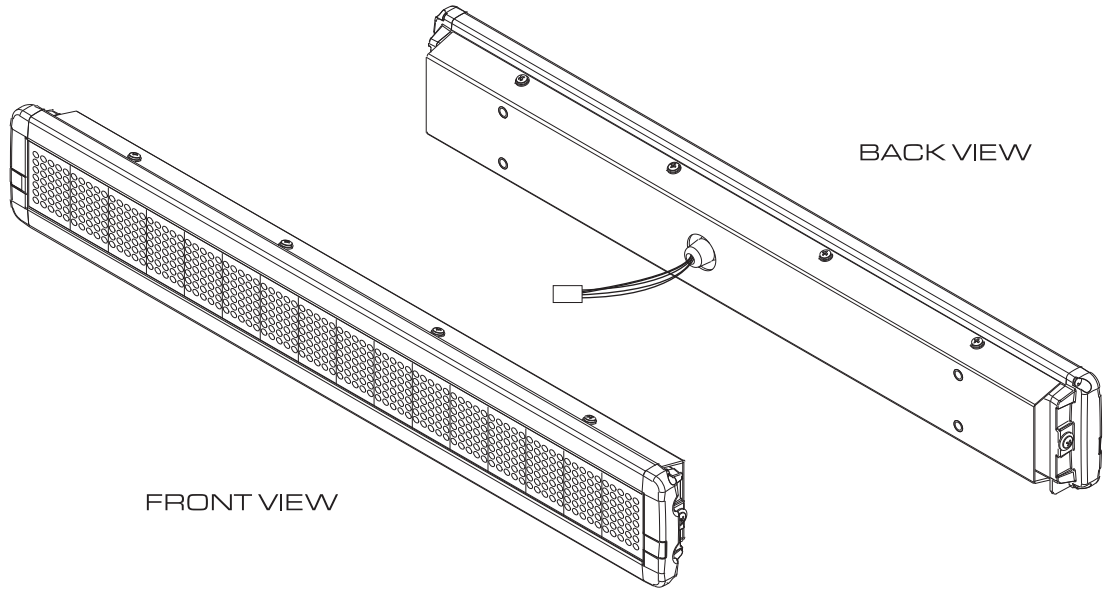


2.1" HB RED

[LED display]

[80 X 7]



BASIC

Adaptive Part Number 11052111
 Matrix 80 X 7
 Dot Pitch 0.3 inch (7.62 mm)
 Dot Size 0.2 inch (5.08mm)
 Display Colors High Brightness Red (Tricolor optional)
 Weight 6 lbs.

DIMENSIONS

Case Dimensions 25.86" X 2.28 X 3.78" (L X W X H)
 Display Area 24" X 2.1"
 Character Size 2.1" (53.34mm)

FEATURES

Characters Per Line 13 typical
 Memory Capacity 32K Ram Standard
 Standard Interface RS485
 Compliant to Load Dump Requirements per SAE J1445 at 12 VDC
 Shock and Vibration Tested
 Splash and Dust Resistant

ENVIRONMENTAL

Full Display Operating Temperature 0° to 50°C
 Operational and Storage Temperature -40° to 85°C
 Humidity 0 to 95% non-condensing
 Cold/Hot Start Temperatures -40°C to 85°C

POWER

Input Voltage Range w/load dump protection 9 to 26VDC
 (12VDC Typical)
 Power 36W Average

Connector Cap **AMP Mate-N-Lok P/N 350781-1 (or equivalent)**

Cap pin #	Amp Contact (or equivalent)	Wire color/AWG	Description/Use
1	350218-7 or 35054-7	Black/16	Power ground
2	No connect	No connect	None
3	350218-7 or 35054-7	Black/20	J1708A differential (RS485)
4	350218-7 or 35054-7	Red/16	+12VDC unswitched
5	350218-7 or 35054-7	Orange/16	+12VDC switched
6	350218-7 or 35054-7	White/20	J1708B differential (RS485)

